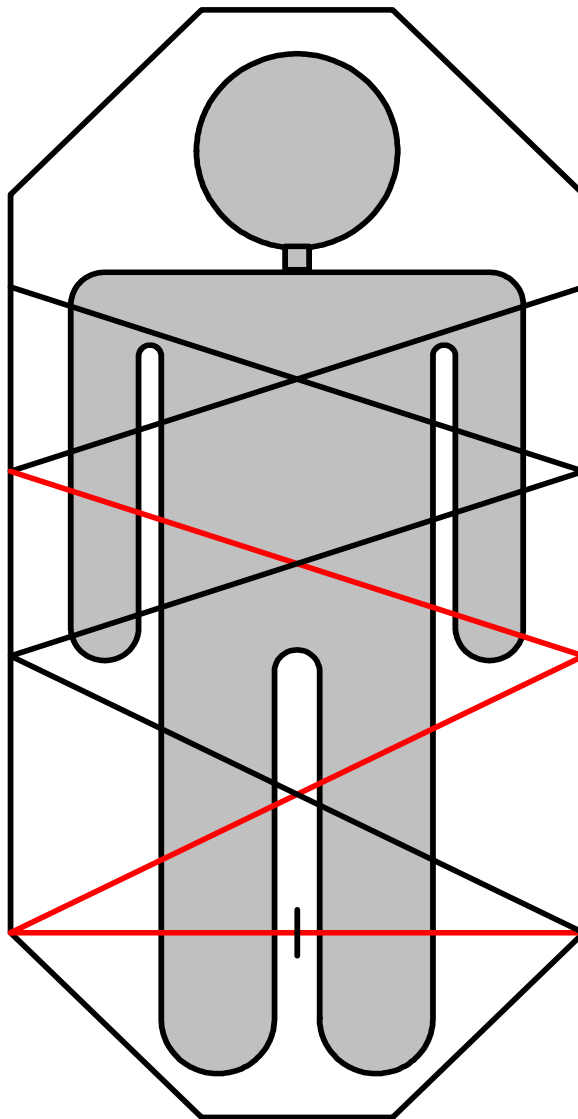


# Stokes Patient Packaging

## Exterior Lashing Techniques



Using a black 25' piece of webbing, criss-cross the person in, tightening from one side to the other, bottom to top. Tie off the ends of the webbing to the inside large vertical rails with one or two round turns and two half hitches.

**Refer to Stokes Patient Packaging Flow Chart for proper application.**