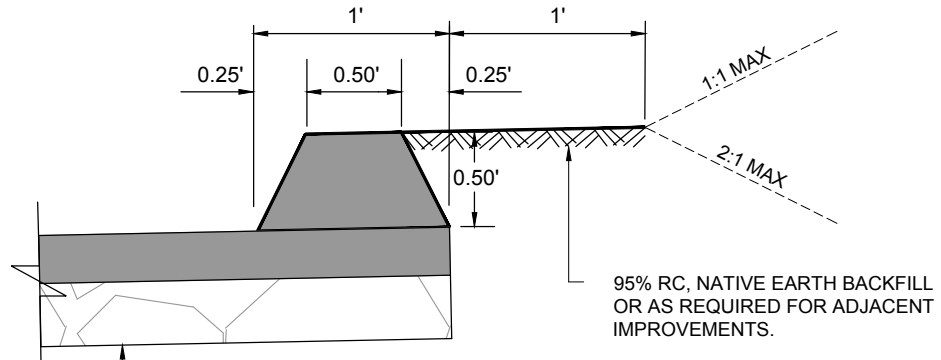


6" CONCRETE CURB



FOR PAVEMENT SECTION  
AND RELATIVE  
COMPACTION SEE ST-1  
AND ST-2

TYPE "A" AC DIKE

NOTE:

FOR HMA SHOULDERS ONLY, EXTEND TOP LAYER OF HMA PLACED ON THE SHOULDER UNDER DIKE WITH NO JOINT AT THE ES. FOR PROJECTS WITH OGFC SHOULDERS, DO NOT EXTEND OGFC UNDER DIKE.



**TOWN OF PARADISE**  
**PUBLIC WORKS / ENGINEERING**

5555 Skyway  
Paradise, California 95969

Phone: (530) 872-6291 Fax: (530) 877-5059

Standard Detail D-2B  
6" CURB & AC DIKE

*[Signature]*  
Approved

3/30/2023  
Date