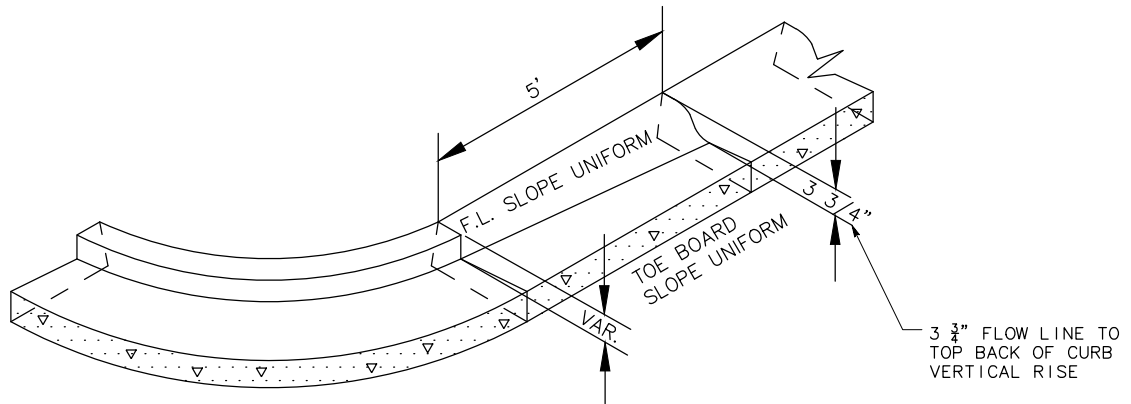


NOTE:
 VERTICAL CURB & GUTTER TO BE USED AT
 ALL CURB RETURNS WITH 1/4" EXPANSION
 JOINT AT BOTH ENDS OF CURB RETURN AND
 EDGES OF WHEEL CHAIR RAMP.



TOWN OF PARADISE
PUBLIC WORKS / ENGINEERING

5555 Skyway
 Paradise, California 95969

Phone: (530) 872-6291 Fax: (530) 877-5059

Standard Detail D-2C
 BARRIER C & G TO ROLL C & G
 TRANSITION

[Signature]

3/30/2023

Approved

Date