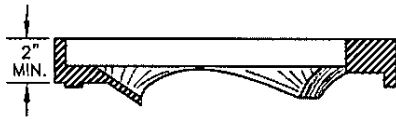
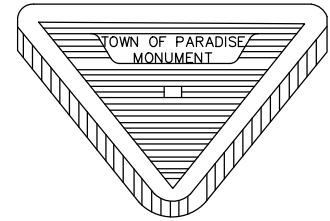


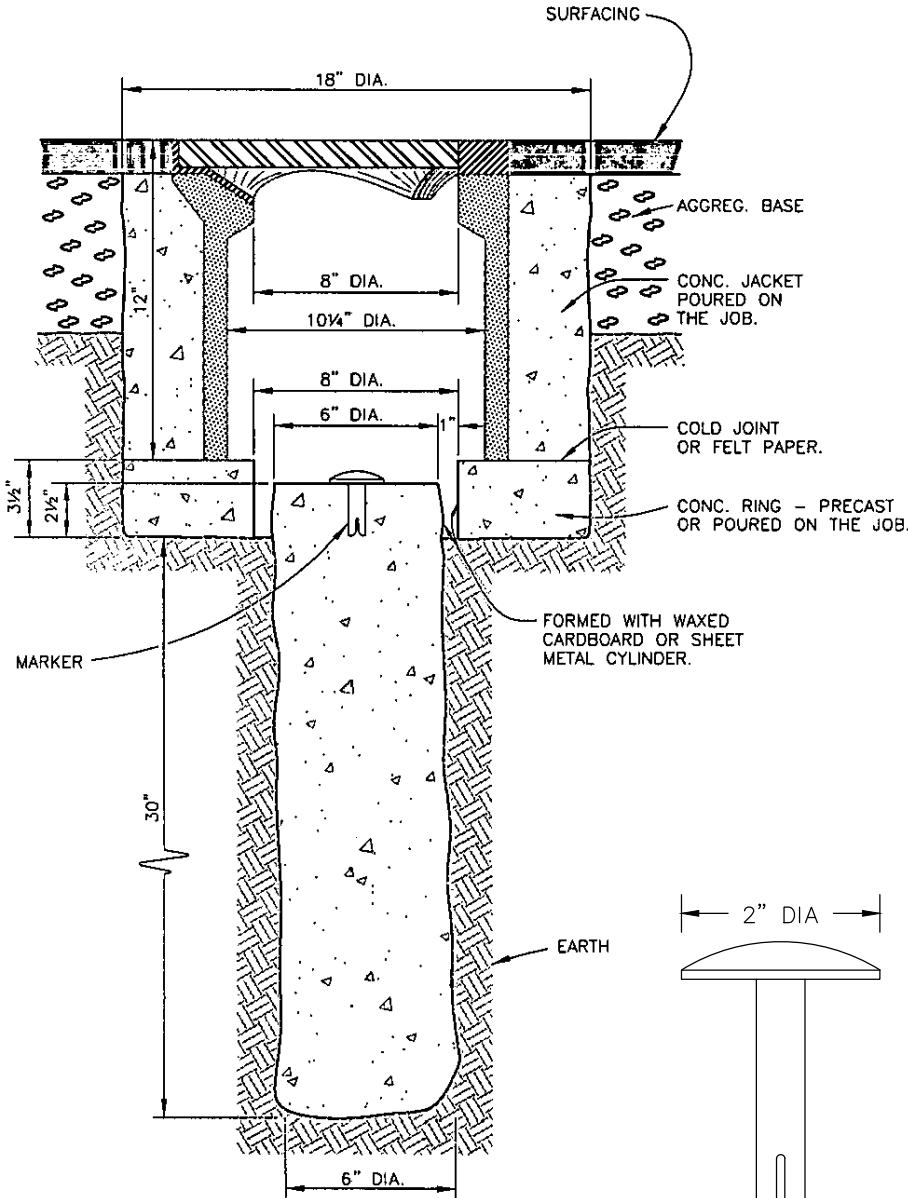
NOTE: WHEN RESURFACING ROAD
ADD RISER RING BETWEEN
EXISTING BOX & COVER
TO MEET NEW ROAD GRADE.



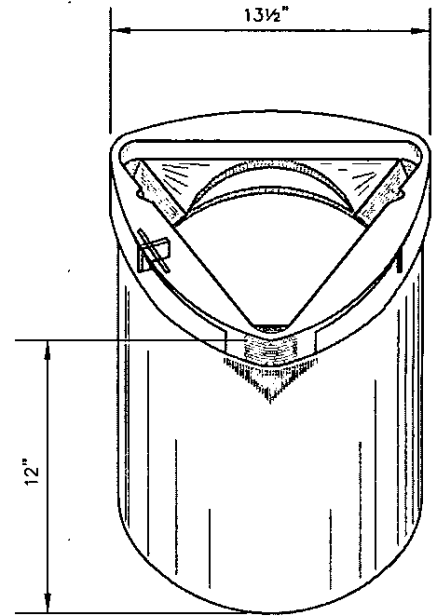
RISER RING



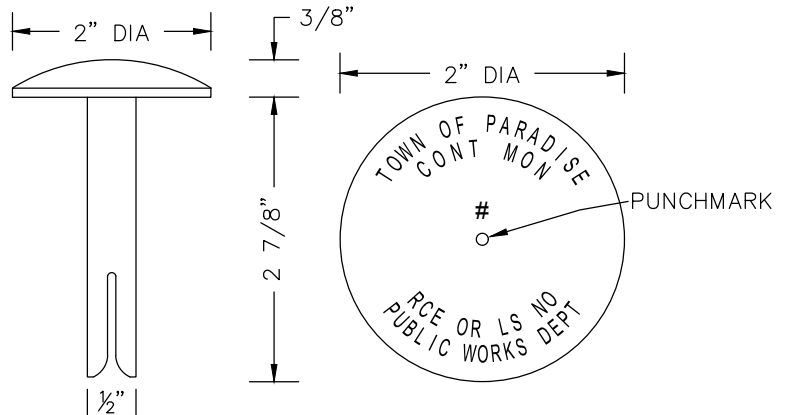
C.I. COVER



MONUMENT SECTION



MONUMENT



MARKER

NOTE: MONUMENT TO BE NO. 4TT
VALVE BOX W/C.I. FACE & COVER
FOR TRAFFIC USE. BROOKS
PRODUCTS INC. OR EQUAL.



TOWN OF PARADISE
PUBLIC WORKS / ENGINEERING

5555 Skyway
Paradise, California 95969
Phone: (530) 872-6291 Fax: (530) 877-5059

Standard Detail D-7A
STREET SURVEY MONUMENT

[Signature]
Approved Date 3/30/2023