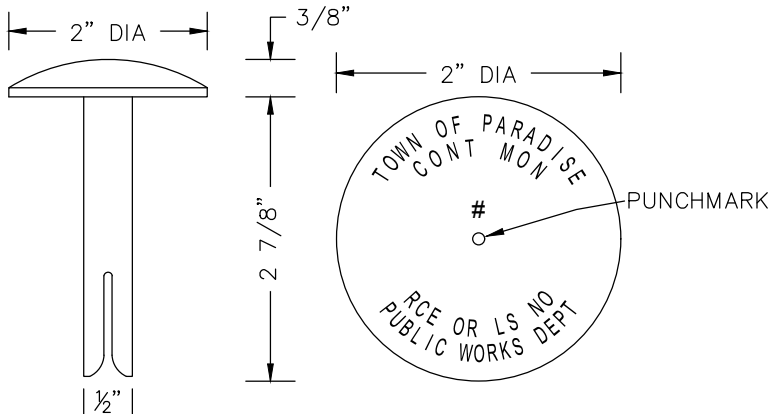


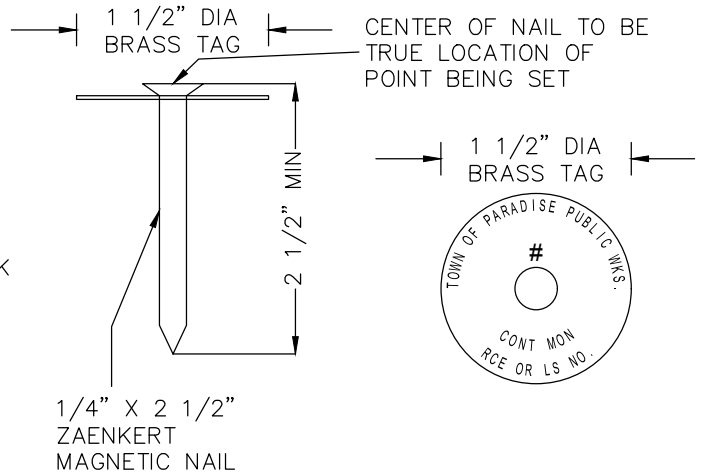
NOTE: PREFERRED SURVEY CONTROL MONUMENT LOCATION OUTSIDE OF EXISTING OR PROPOSED ROADWAY SECTION AND WITHIN THE EXISTING OR PROPOSED TOWN RIGHT-OF-WAY. EXCEPTIONS MAY OCCUR. 5/2" T-POST WITH TOWN SURVEY MONUMENT SIGN TO BE PLACED, FACING ROADWAY, WITHIN ONE FOOT OF MONUMENT AND SIGN MARKED WITH APPROPRIATE INFORMATION.

SURVEY CONTROL MONUMENT SECTION

NOTE: BRASS MARKERS TYPE I AND TYPE II TO BE USED AS PRESCRIBED BY THE TOWN SURVEYOR.



BRASS MARKER TYPE I



BRASS MARKER TYPE II



TOWN OF PARADISE PUBLIC WORKS / ENGINEERING

5555 Skyway
Paradise, California 95969
Phone: (530) 872-6291 Fax: (530) 877-5059

Standard Detail D-7B STANDARD SURVEY CONTROL MONUMENT

[Signature] 3/30/2023
Approved Date