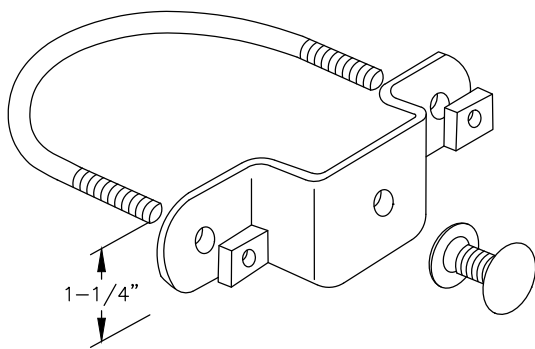
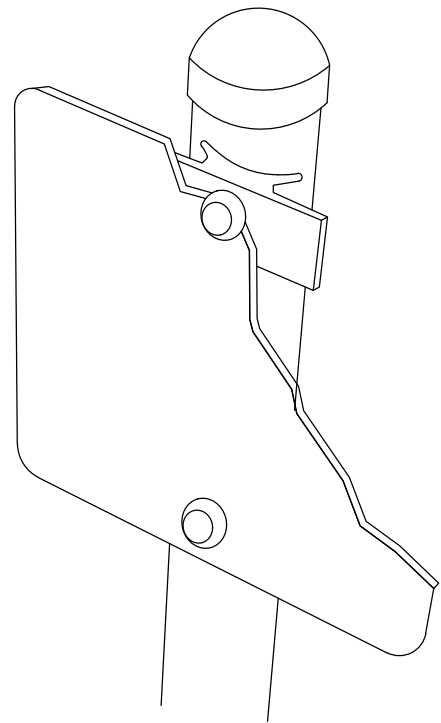
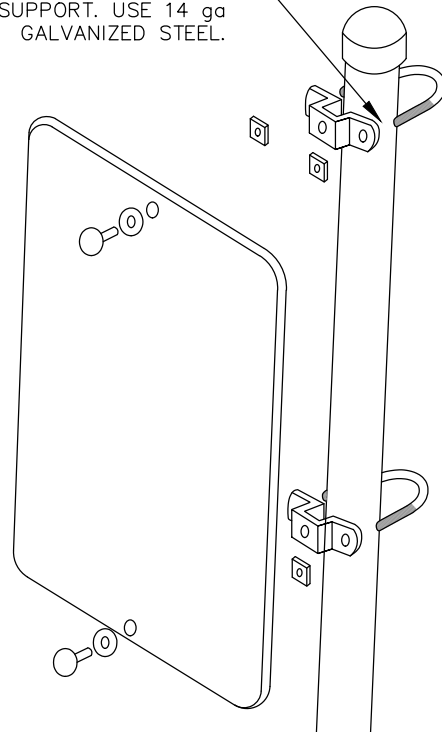


SIGN SADDLE
DETAIL



SINGLE CLAMP ON
U-BRACKET DETAIL

2"X2" TELESPAR OR
UNISTRUT SQUARE SIGN
SUPPORT. USE 14 ga
GALVANIZED STEEL.



NOTE:

FOR SIGN SADDLE USE HAWKINS TRAFFIC M2G-312-SSTP, OR APPROVED EQUAL. FOR SINGLE CLAMP ON U-BRACKETS USE HAWKINS TRAFFIC M2G-C2B, OR APPROVED EQUAL.



TOWN OF PARADISE
PUBLIC WORKS / ENGINEERING

5555 Skyway
Paradise, California 95969
Phone: (530) 872-6291 Fax: (530) 877-5059

Standard Detail D-8D
STREET SIGNS

[Signature] 3/30/2023
Approved Date