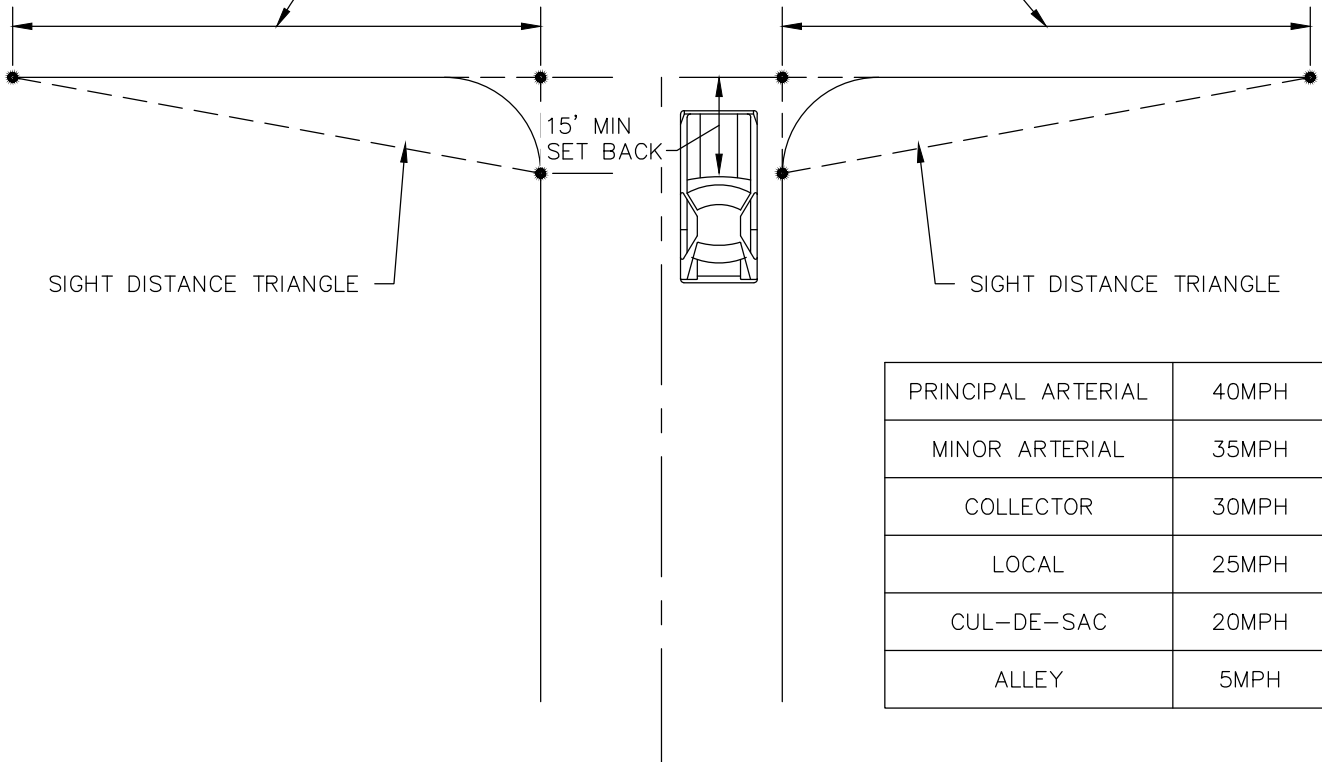


CORNER SIGHT DISTANCE
PER CALTRANS HDM
405.1(2)(a)



PRINCIPAL ARTERIAL	40MPH
MINOR ARTERIAL	35MPH
COLLECTOR	30MPH
LOCAL	25MPH
CUL-DE-SAC	20MPH
ALLEY	5MPH

NOTES:

1. PLANTS/SHRUBBERY LOCATED IN THE SIGHT DISTANCE TRIANGLE SHALL BE 30" IN HEIGHT OR LESS. TREE FOLIAGE LOWER THAN 84" SHALL NOT BE ALLOWED IN THE SIGHT DISTANCE TRIANGLE.
2. REFER TO THE CALTRANS HIGHWAY DESIGN MANUAL TABLE 405.1a AND FIGURE 405.7 FOR THE SIGHT DISTANCE TRIANGLE CONFIGURATION.
3. SET BACK EQUALS SHOULDER WIDTH PLUS 10 FEET, BUT NOT LESS THAN 15 FEET



**TOWN OF PARADISE
PUBLIC WORKS / ENGINEERING**

5555 Skyway
Paradise, California 95969

Phone: (530) 872-6291 Fax: (530) 877-5059

**Standard Detail D-11
SIGHT DISTANCE TRIANGLE**

3/30/2023
Date