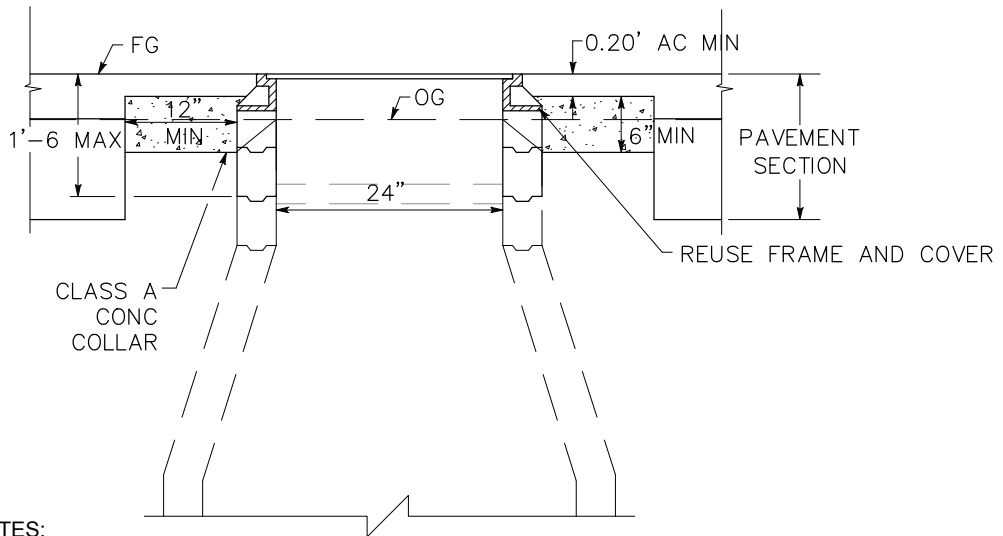


NOTES:

1. USE FOR VALVES, METERS, & PULL BOXES.
2. WATER VALVE BOX SHOWN AS EXAMPLE.

ADJUST VALVE BOX TO GRADE DETAIL



NOTES:

1. MANHOLES SHALL CONFORM TO DR1 (1 OF 2) & DR2 (2 OF 2).

ADJUST MANHOLE TO GRADE DETAIL



TOWN OF PARADISE
PUBLIC WORKS / ENGINEERING

5555 Skyway
 Paradise, California 95969
 Phone: (530) 872-6291 Fax: (530) 877-5059

Standard Detail D-13B
 ADJUST UTILITY

[Signature]
 Approved

3/30/2023
 Date