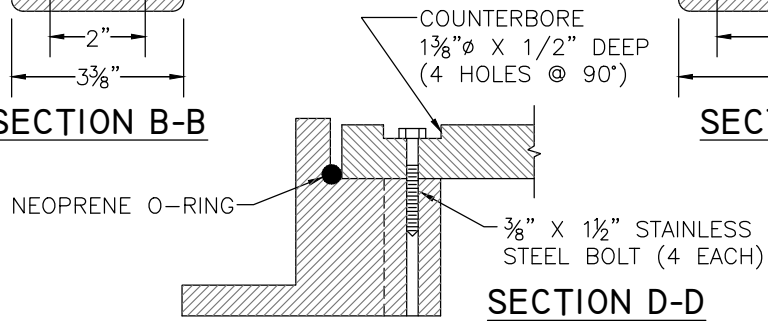
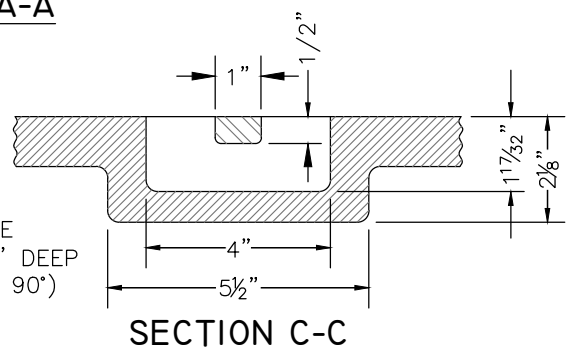
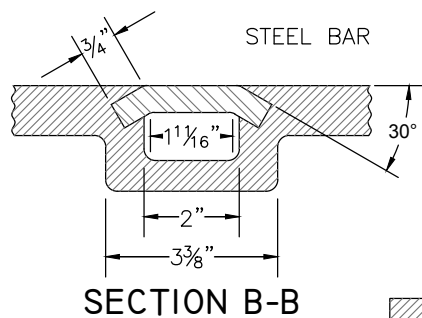
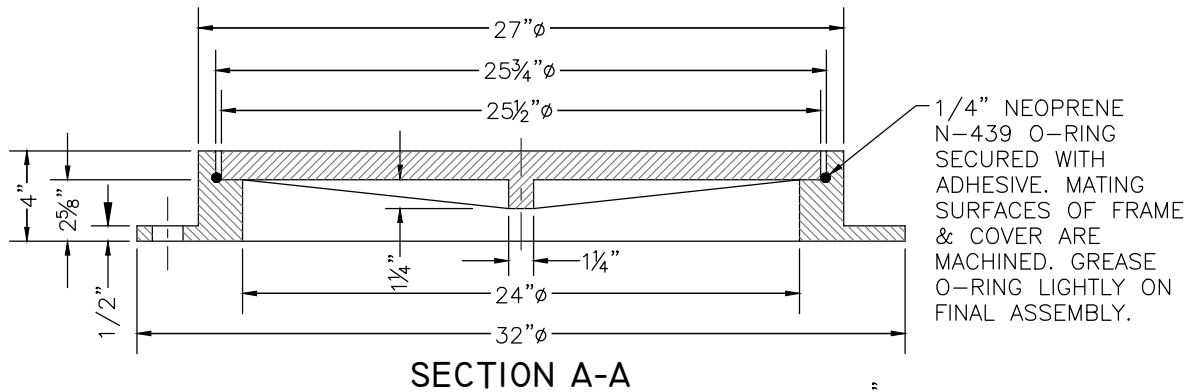


**STD. 24" FRAME  
& COVER**


SOUTH BAY FOUNDRY NO.  
SBF-624BD OR EQUAL  
APPROX. WT. 294 LBS.



**TOWN OF PARADISE  
PUBLIC WORKS / ENGINEERING**

5555 Skyway  
Paradise, California 95969  
Phone: (530) 872-6291 Fax: (530) 877-5059

**Standard Detail DR2  
STORM DRAIN MANHOLE  
FRAME & COVER**

Approved  Date 3/30/2023