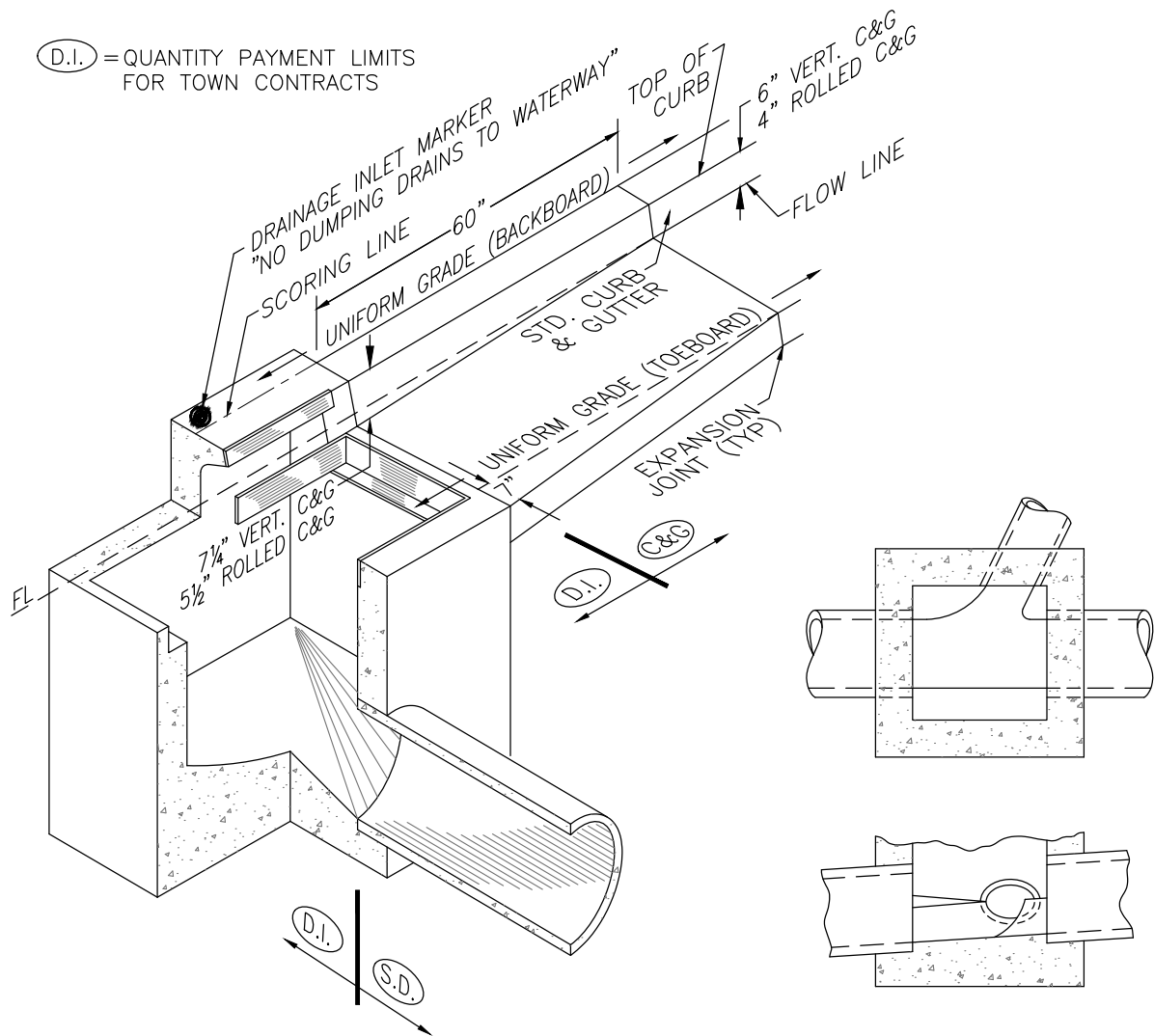


(D.I.) = QUANTITY PAYMENT LIMITS FOR TOWN CONTRACTS



D.I. CUT AWAY VIEW

SHAPING OF INVERT

NOTE: USE WHEN MORE THAN ONE PIPE CONNECTS TO THE D.I.

NOTES:

1. PIPES CAN BE PLACED IN ANY WALL.
2. AT CONTRACTOR'S OPTION, 60" TRANSITIONS & D.I. TOP MAY BE MONOLITHIC POUR.
3. SEE TOWN STANDARD DR-10 - STORM DRAIN INLET MARKER.



**TOWN OF PARADISE**  
PUBLIC WORKS / ENGINEERING

5555 Skyway  
Paradise, California 95969  
Phone: (530) 872-6291 Fax: (530) 877-5059

Standard Detail DR5  
DROP INLET DRAINAGE GRATE  
ASSEMBLY (2 OF 3)

*[Signature]* 3/30/2023  
Approved Date