

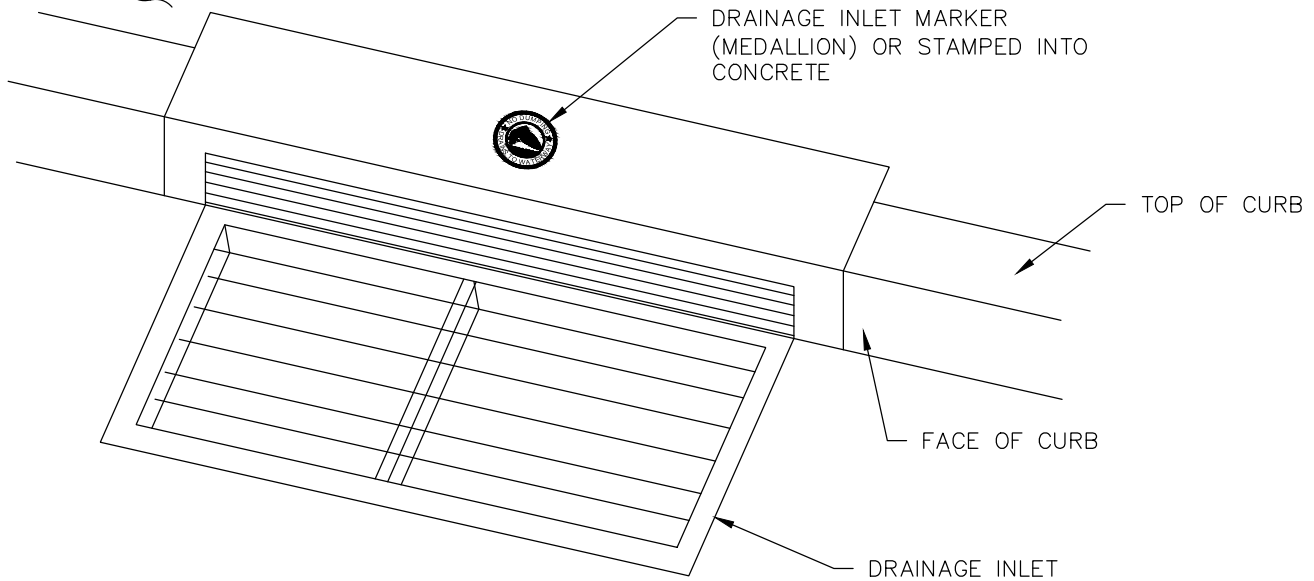


ALUMINUM, 3D EMBOSSED DISC OR WHITE PAINT ON BLACK BACKGROUND

PLAN

**DRAINAGE INLET MARKER (MEDALLION)**

SIDEWALK



PERSPECTIVE

**DRAINAGE INLET MARKER (MEDALLION) ON DRAINAGE INLET**

NOTE:

1. USE ALMETEK OR TOWN APPROVED EQUAL MARKER TO HAVE "NO DUMPING, DRAINS TO WATERWAY".
2. INSTALL ON CURB ADJACENT TO DRAIN INLET. ATTACH PER MANUFACTURER'S SPECIFICATIONS.



**TOWN OF PARADISE**  
**PUBLIC WORKS / ENGINEERING**

5555 Skyway

Paradise, California 95969

Phone: (530) 872-6291 Fax: (530) 877-5059

**Standard Detail DR10**  
**STORM DRAIN INLET MARKER**

3/30/2023

Approved

Date