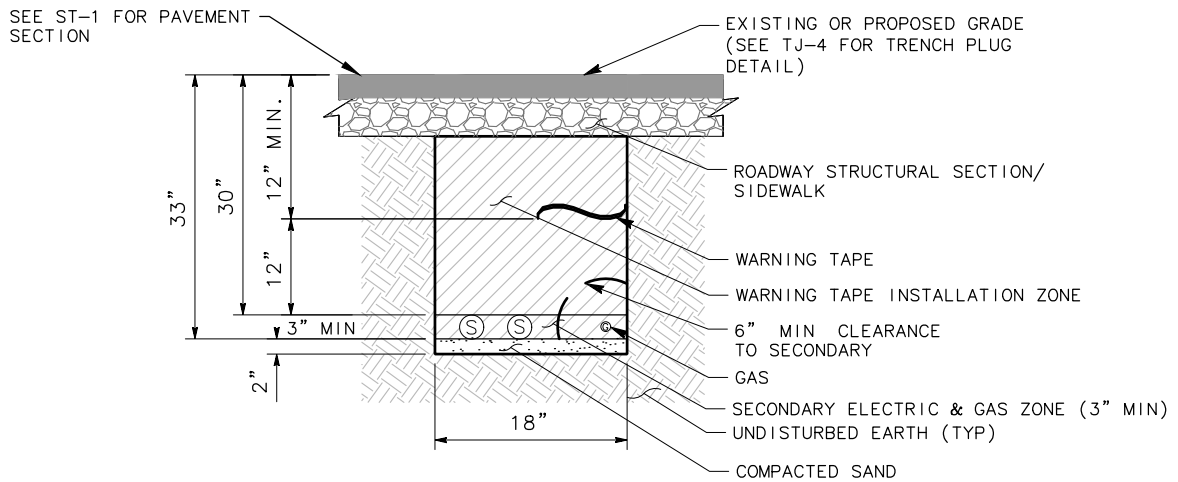
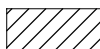





**SECONDARY TRENCH - ELECTRICAL, GAS AND TELECOM**



**SECONDARY TRENCH - ELECTRICAL & GAS**

**LEGEND**

-  NATIVE BACKFILL, 90% RELATIVE COMPACTION
-  COMPACTED SAND
-  STRUCTURAL SECTION
-  UNDISTURBED EARTH

**NOTES**

1. CONTRACTOR TO REPAIR ALL LANDSCAPING AND IRRIGATION REMOVED DURING CONSTRUCTION. CONTRACTOR TO STABILIZE DISTURBED AREAS.
2. DIMENSIONS OF THE PAVEMENT STRUCTURES (STRUCTURAL SECTIONS) ARE SUBJECT TO TOLERANCES SPECIFIED IN THE STANDARD SPECIFICATIONS.



**TOWN OF PARADISE**  
**PUBLIC WORKS / ENGINEERING**

5555 Skyway  
 Paradise, California 95969  
 Phone: (530) 872-6291 Fax: (530) 877-5059

Standard Detail TJ-2  
 TYPICAL JOINT TRENCH CROSS  
 SECTIONS

*[Signature]* 3/30/2023  
 Approved Date