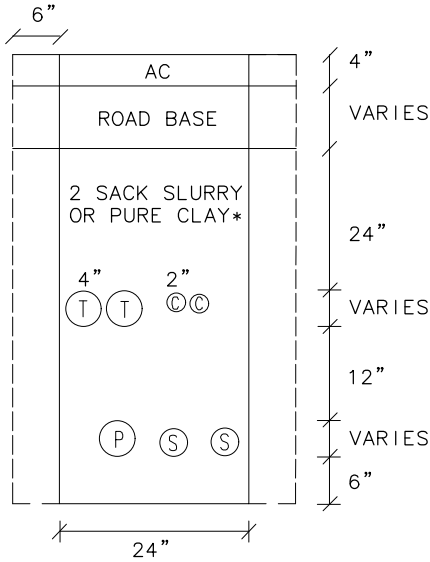
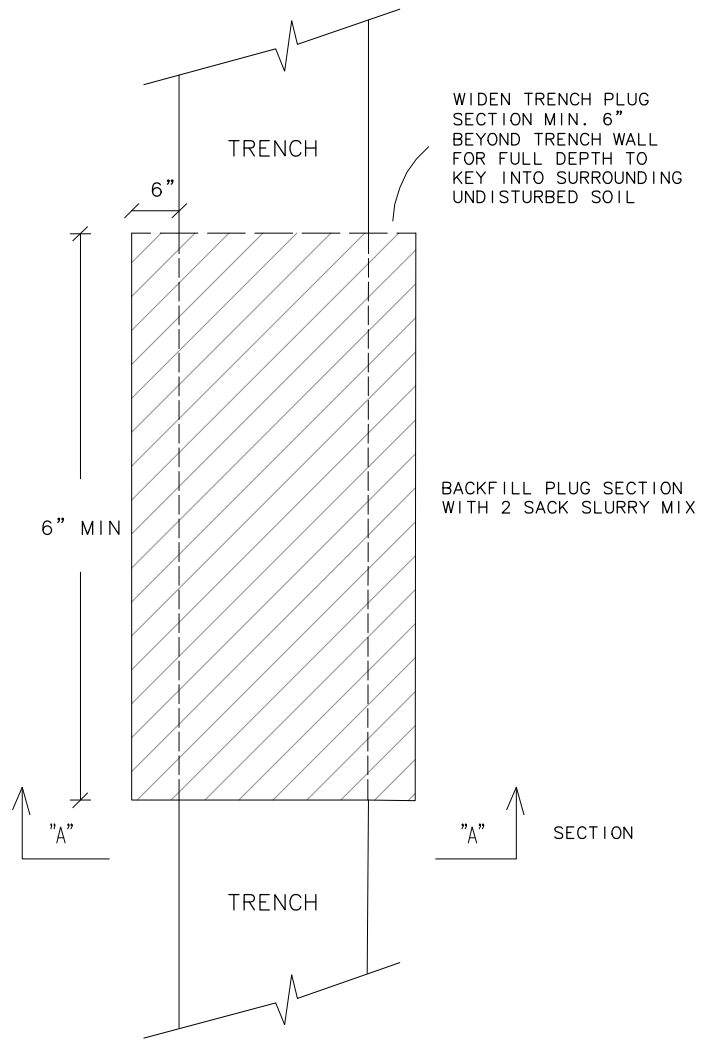


WIDEN TRENCH PLUG SECTION MIN. 6" BEYOND TRENCH WALL TO FULL DEPTH



SECTION "A" TYP.

*IF GAS IS IN TRENCH, MUST USE PURE CLAY



CAST ON-SITE TRENCH PLUG FOR SLOPED CONSTRUCTION TO PREVENT EROSION DUE TO WATER INFILTRATION



TOWN OF PARADISE
PUBLIC WORKS / ENGINEERING

5555 Skyway
Paradise, California 95969
Phone: (530) 872-6291 Fax: (530) 877-5059

Standard Detail TJ-4
TRENCH PLUG DETAIL

[Signature]
Approved Date 3/30/2023